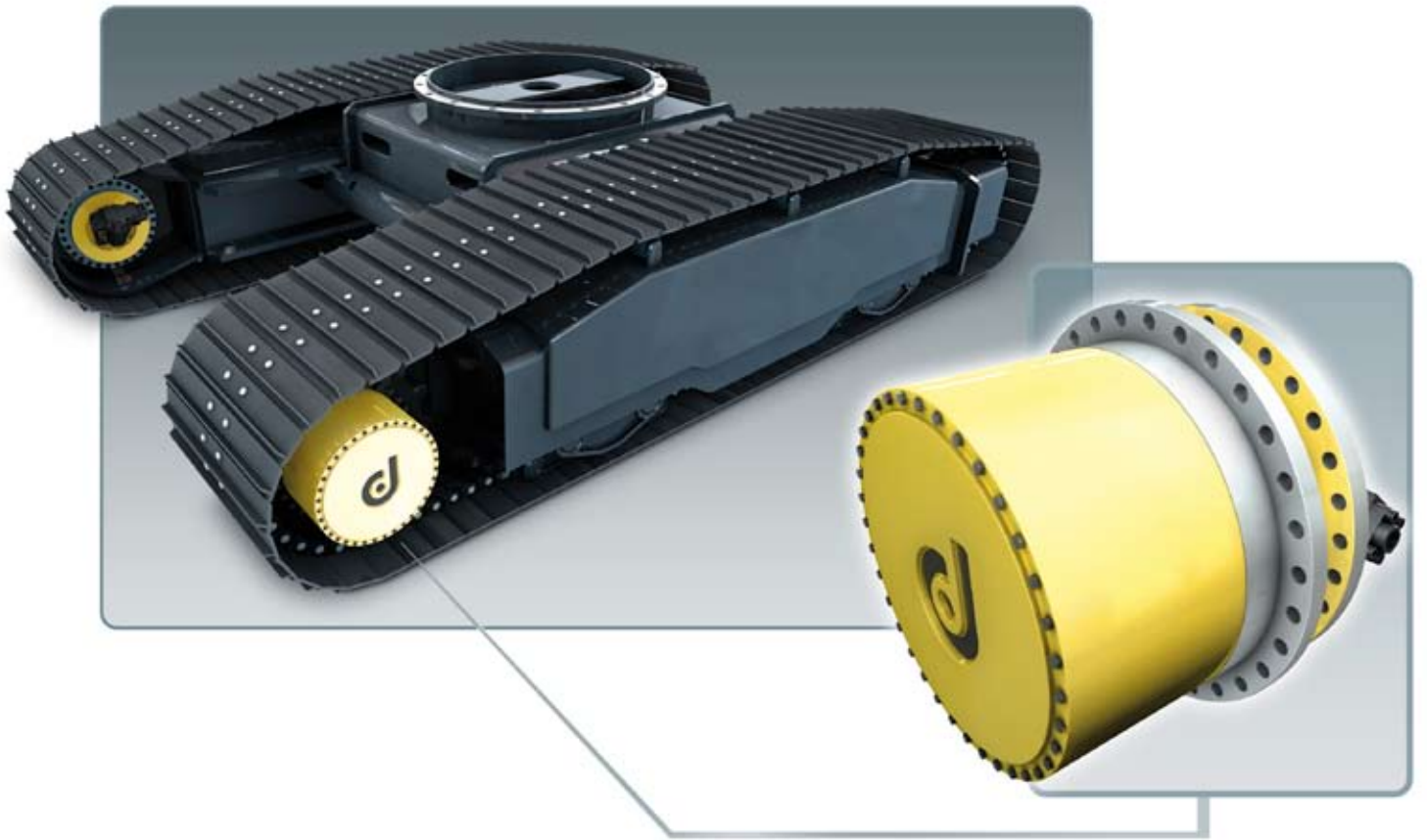


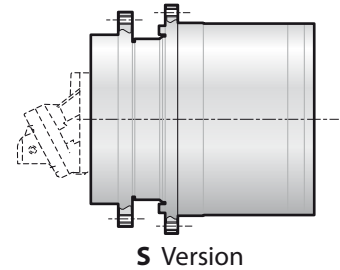
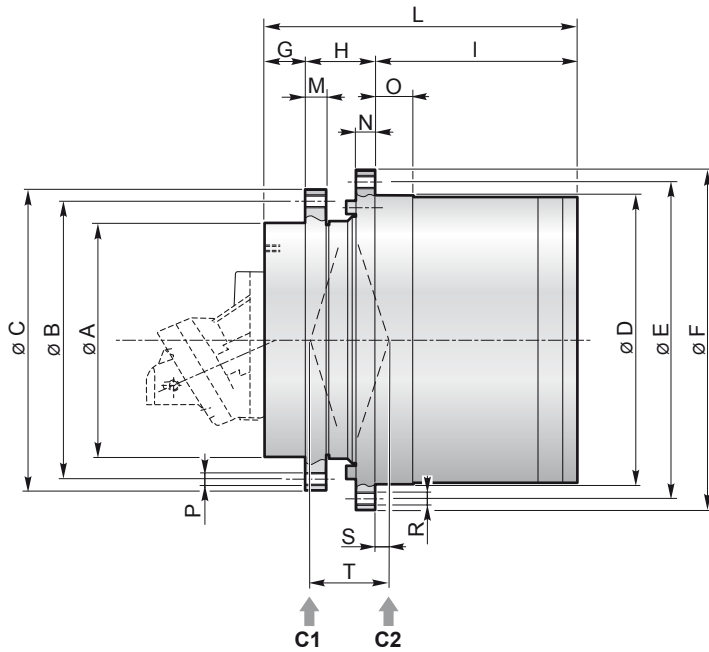
Riduttori cingolo
Track drives





SC Version

Alternative configurations available on demand



		EH 5000 SC	EH6000 SC	EH8000 SC	EH11000 SC	EH16000 SC	EH22000 SC	EH26000 SC	EH33000 SC
Maximum output torque	[Nm]	50000	60000	80000	110000	160000	220000	260000	330000
(*) Preferable ratio (i)		125.7	139.9	149.9	147.2	210.7	246	187.5	252
Weight (Approx.)	[kg]	220	230	405	410	680	830	970	1250

Capacity of bearings

C dynamic	[kN]	212	330	512	512	765	765	1080	1120
C ₀ - static	[kN]	425	600	1080	1080	1660	1660	2360	2550

Multi-disc brake

Static braking torque	[Nm]	800	720	1020	1020	1020	1100	1900	2500
-----------------------	------	-----	-----	------	------	------	------	------	------

Hydraulic motor

Available motor connection: A2FE	80/61W-NAL 90/61W-NAL	80/61W-NAL 90/61W-NAL	107/61W-NZL 125/61W-NZL 160/61W-NZL 180/61W-NZL	107/61W-NZL 125/61W-NZL 160/61W-NZL 180/61W-NZL	107/61W-NZL 125/61W-NZL 160/61W-NZL 180/61W-NZL	107/61W-NZL 125/61W-NZL 160/61W-NZL 180/61W-NZL	250/60W-VZM	355/60W-VZM
Available motor connection: A6VE	80/63W-VAL 107/63W-VZU	80/63W-VAL 107/63W-VZU	107/63W-VZL 160/63W-VZL	107/63W-VZL 160/63W-VZL	107/63W-VZL 160/63W-VZL	107/63W-VZL 160/63W-VZL 250/63W-VZM	250/63W-VZM	//////////

Dimensions

ØA	[mm]	270 h8	350 h8	380 h8	380 h8	450 h8	460 g6	530 h8	580 h8
ØB	[mm]	310	400	430	430	510	600	630	680
ØC	[mm]	350	445	480	480	560	650	685	735
ØD	[mm]	350 h8	400 h8	515 h8	515 h8	535 h8	610 g6	610	660 h8
ØE	[mm]	400	450	566	566	600	680	685	730
ØF	[mm]	430	490	614	614	650	735	740 h8	785
G	[mm]	39.5	25	22	22	30	45	125	150
H	[mm]	82	90	120	120	168	170	125	125
I	[mm]	281.5	294	323	328	340	350	370	430
L	[mm]	403	409	465	470	538	565	620	705
M	[mm]	25	30	40	40	40	40	40	40
N	[mm]	25	33	36	36	40	50	48	40
O	[mm]	30	31	28	23	65	60	////////	80
P		N°20-M20x1.5	N°24-M24x2	N°20-M24	N°20-M24	N°30-M24x2	N°30 M30	N°28-M30	N°30-M30
R		N°16-M20x1.5	N°20-M20x1.5	N°16-M24	N°16-M24	N°30-M24x2	N°24 M30	N°28-M30	N°30-M30
S	[mm]	54	48	48	58	26	35	18	36
T	[mm]	111	117	137	143	164	190	202	181

(*) Different ratios available on demand



Dinamic Oil S.p.A.

Via Togliatti, 15 - 41030 - Bomporto (Modena, Italy)

Phone: +39 059 812611 Fax: +39 059 812601

Mail: dinamicoil@dinamicoil.it - www.dinamicoil.com